

1

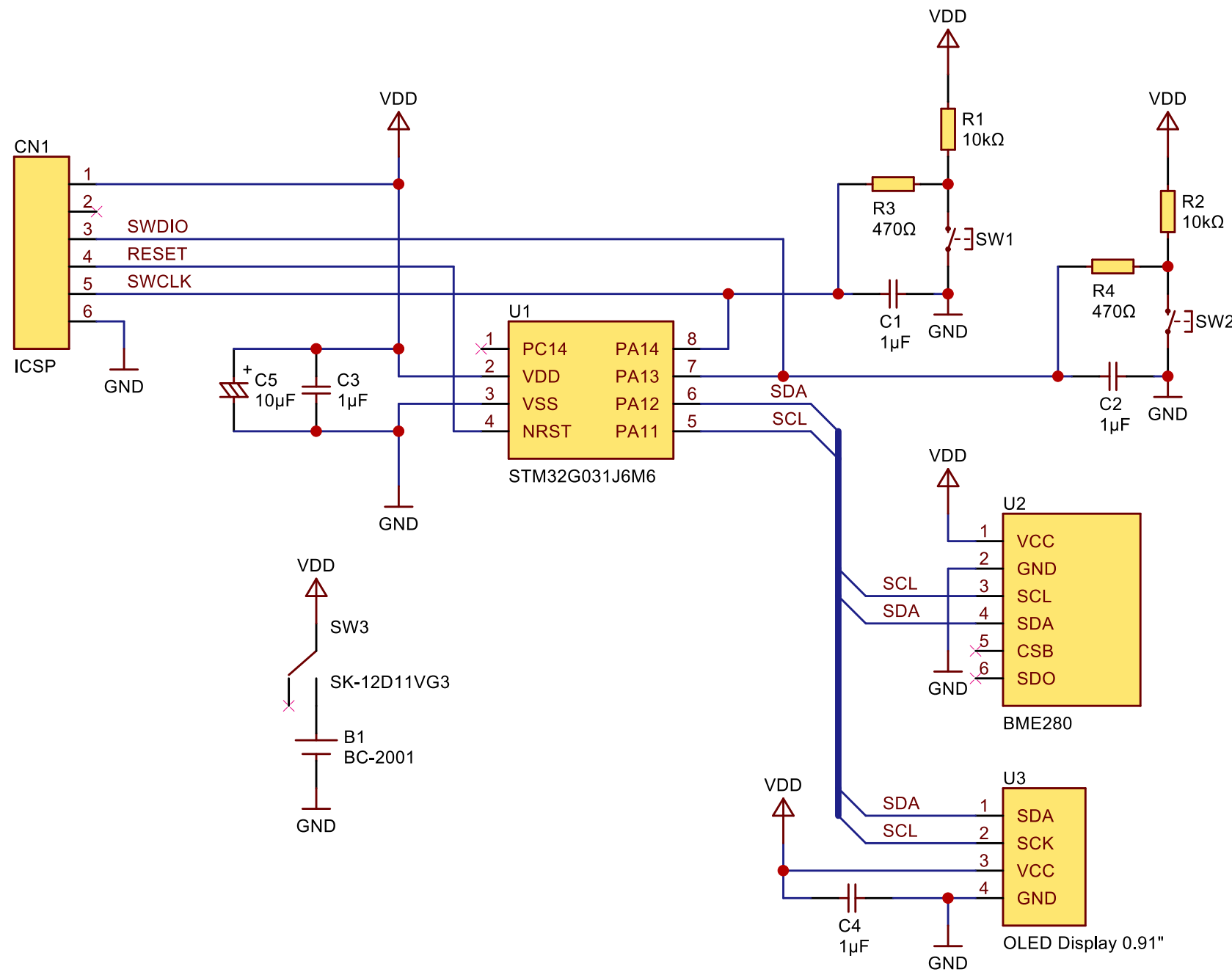
2

3

4

A

A



B

B

C

C

Title. JapariMeter Rev.1

No.

1

2

3

4